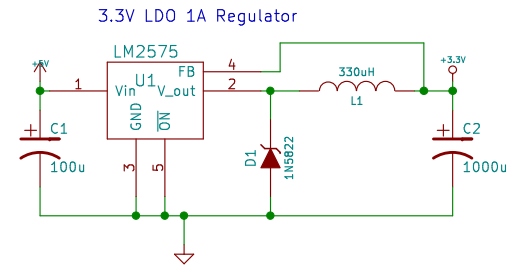
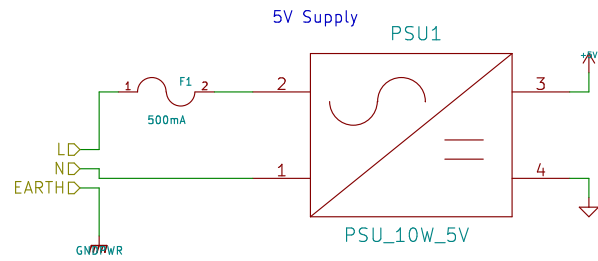
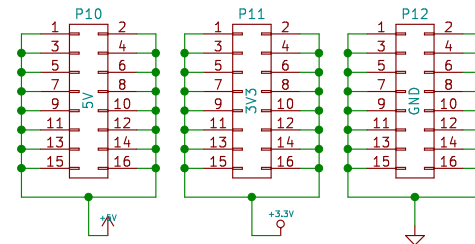
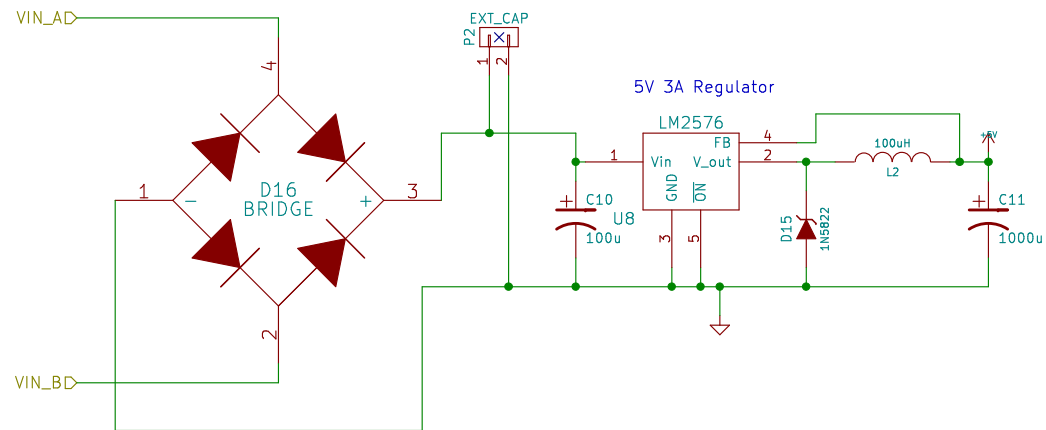


PCB design by RE-Innovation	
T4 Sustainability	
Sheet: /	
File: oBeMs_Pulse_PCB.sch	
Title: oBeMs Open Pulse Monitor Unit	
Size: A4	Date: 2015-12-22
KiCad E.D.A. kicad 4.0.1-stable	Rev: 5 Id: 1/10



Distribution Blocks for Power



PCB design by RE-Innovation

T4 Sustainability

Sheet: /PowerSupply/

File: PSU.sch

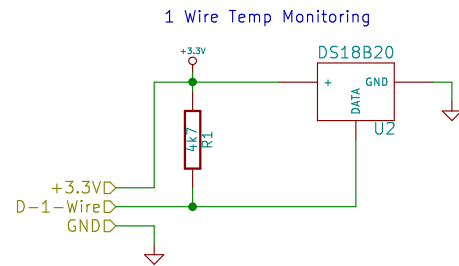
Title: oBeMs Open Pulse Monitor Unit

Size: A4 Date: 2015-12-22

Rev: 5

KiCad E.D.A. kicad 4.0.1-stable

Id: 2/10



PCB design by RE-Innovation

T4 Sustainability

Sheet: /TemperatureSensor/

File: TemperatureSensor.sch

Title: oBeMs Open Pulse Monitor Unit

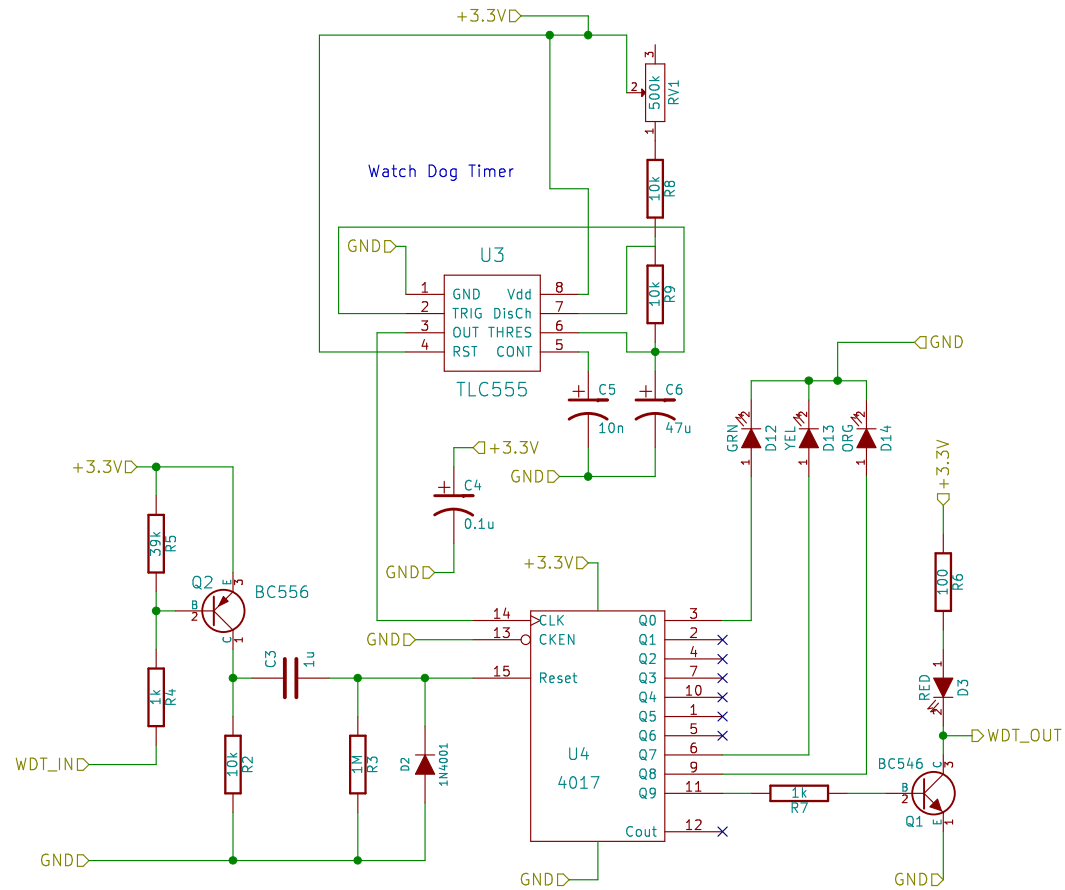
Size: A4

Date: 2015-12-22

Rev: 5

KiCad E.D.A. kicad 4.0.1-stable

Id: 3/10



PCB design by RE-Innovation

T4 Sustainability

Sheet: /Watch Dog Timer/

File: WDT.sch

Title: oBeMs Open Pulse Monitor Unit

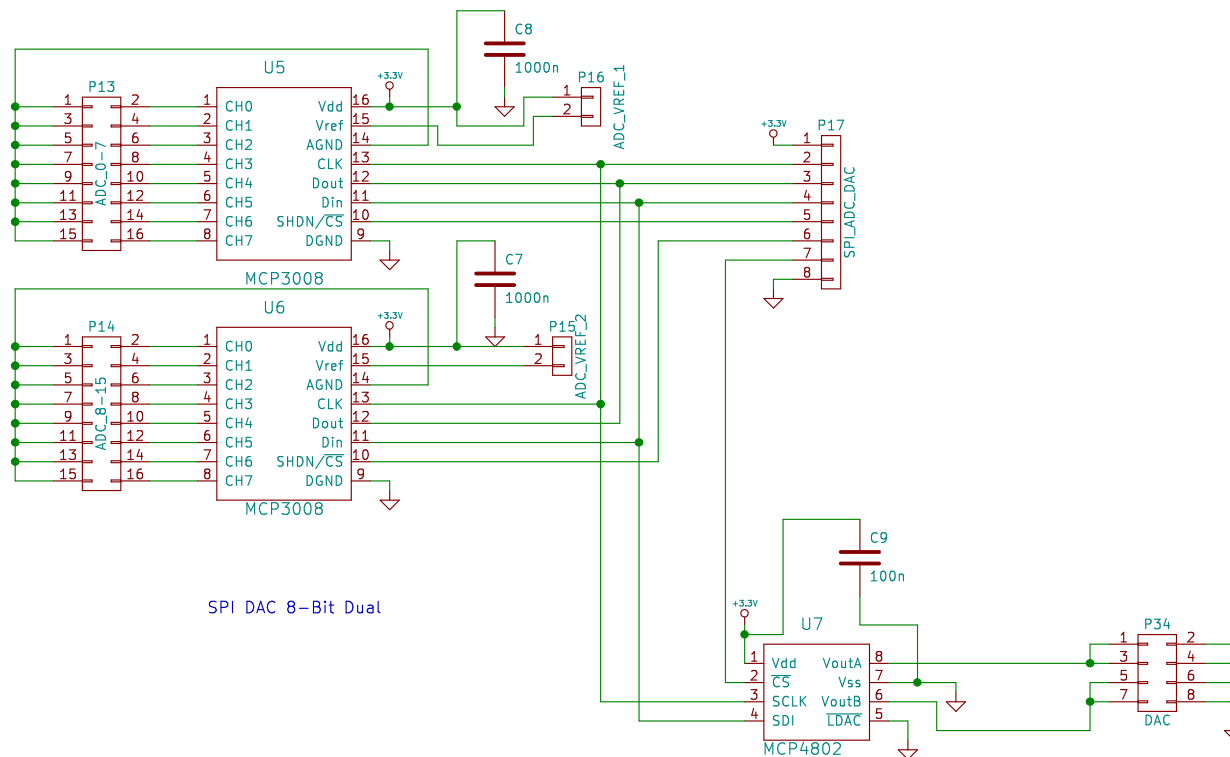
Size: A4 Date: 2015-12-22

KiCad E.D.A. kicad 4.0.1-stable

Rev: 5

Id: 4/10

SPI ADC 8 Channel



SPI DAC 8-Bit Dual

PCB design by RE-Innovation

T4 Sustainability

Sheet: /ADC SPI x2 + DAC/

File: ADC_DAC.sch

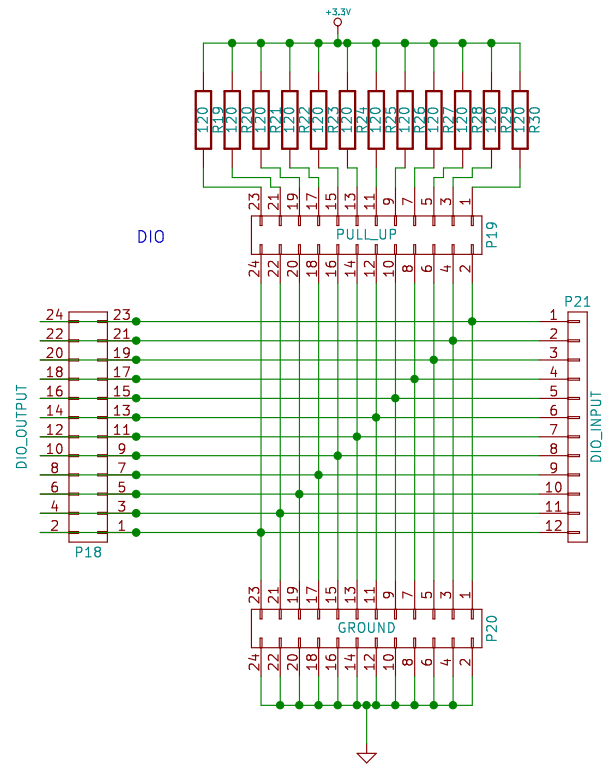
Title: oBeMs Open Pulse Monitor Unit

Size: A4 Date: 2015-12-22

KiCad E.D.A. kicad 4.0.1-stable

Rev: 5

Id: 6/10



PCB design by RE-Innovation

T4 Sustainability

Sheet: /DIGITAL IO 1-6/

File: IO.sch

Title: oBeMs Open Pulse Monitor Unit

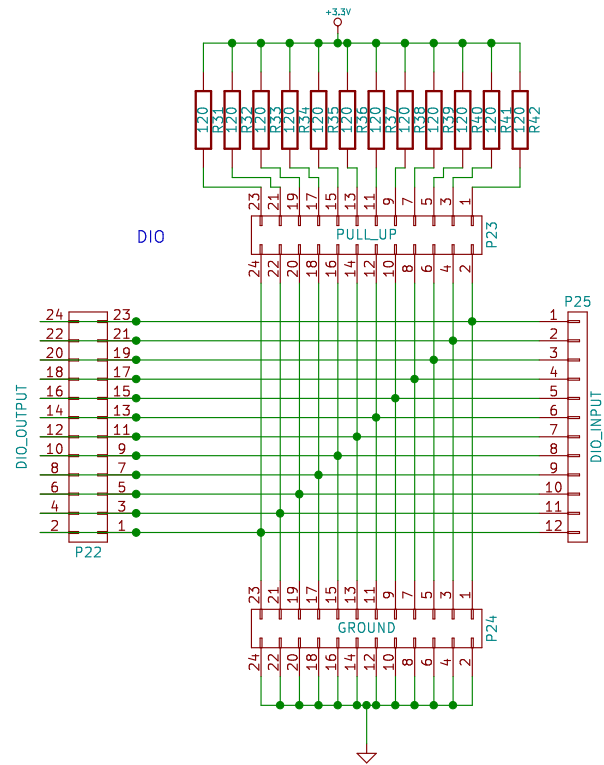
Size: A4

Date: 2015-12-22

Rev: 5

KiCad E.D.A. kicad 4.0.1-stable

Id: 7/10



PCB design by RE-Innovation

T4 Sustainability

Sheet: /DIGITAL IO 7-12/

File: IO.sch

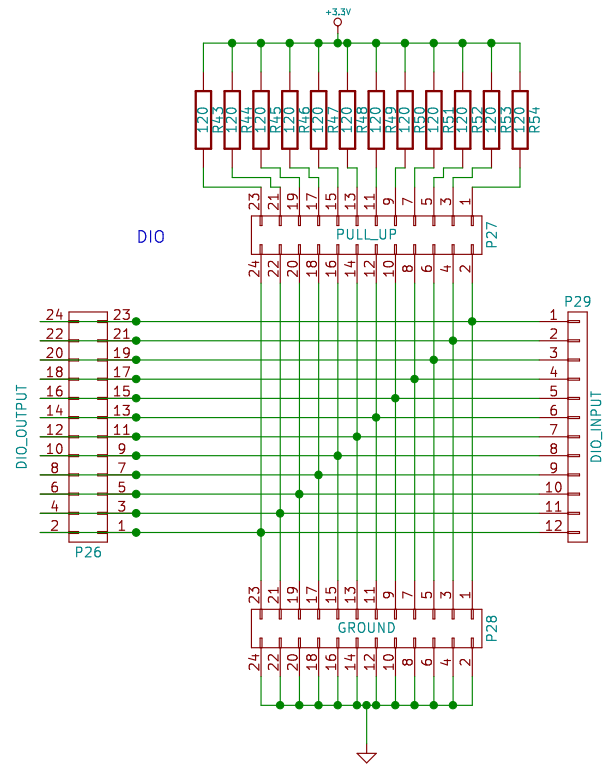
Title: oBeMs Open Pulse Monitor Unit

Size: A4 Date: 2015-12-22

Rev: 5

KiCad E.D.A. kicad 4.0.1-stable

Id: 8/10



PCB design by RE-Innovation

T4 Sustainability

Sheet: /DIGITAL IO 13-18/

File: IO.sch

Title: oBeMs Open Pulse Monitor Unit

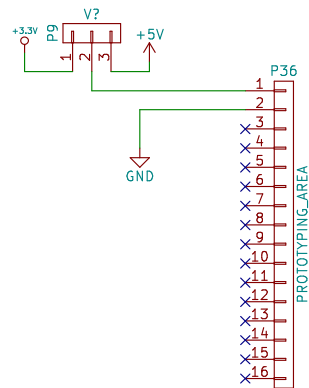
Size: A4

Date: 2015-12-22

Rev: 5

KiCad E.D.A. kicad 4.0.1-stable

Id: 9/10



PCB design by RE-Innovation

T4 Sustainability

Sheet: /Prototyping Area/

File: PrototypeArea.sch

Title: oBeMs Open Pulse Monitor Unit

Size: A4

Date: 2015-12-22

Rev: 5

KiCad E.D.A. kicad 4.0.1-stable

Id: 10/10